

ibcAMP (iPad business card amp)

Build instructions:

The Apple iPad is one of the coolest devices that I have ever owned. From the look and feel, to the performance I love almost everything about it. I say "almost everything" because there is one annoying issue that I have. When I watch a movie on my iPad, the sound volume can be a little low, even when turned all the way up. This is due in part to the placement of the iPad's one and only speaker. When you have the iPad in landscape mode, all of the sound is shooting out to the right or left instead of straight at you.

I noticed however that when I would hold the iPad certain ways I could here it better than others. This got me to thinking why this might be. Then a really simple idea came to me. Why not create something that would redirect the sound to the front of the iPad. That's when the idea for the iBCAMP (iPad business card amp) came to me.

I tried several variations before I got it right. But the finished product works really well in my opinion.

Materials/Tools:

Scissors

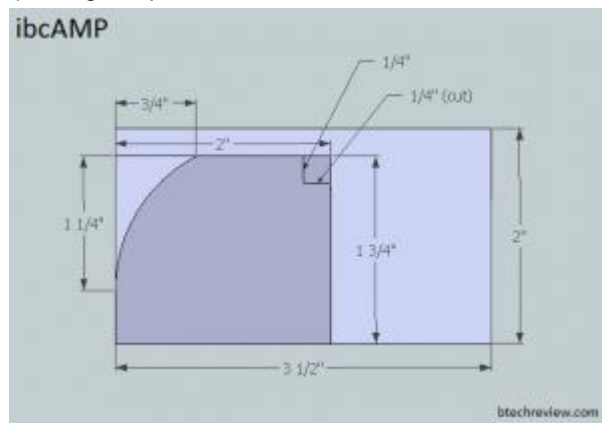
Scotch tape

3 business cards (3.5" x 2")

iPad 😊

Instructions:

1) Using the pattern below, cut the two sides of the amp out of 2 of the business cards.



2) Once you have the 2 sides cut out, lay out all 3 cards like this:



3) Next, tape the 3 cards together and curl the middle card up like this:

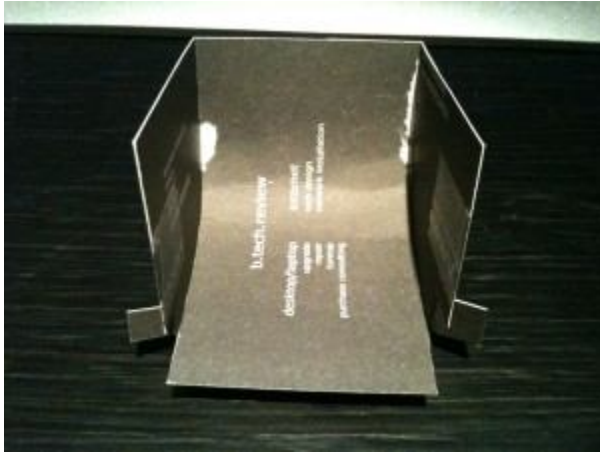


4) Then tape the 2 sides to the middle card like this:





5) Next, cut out the notches in the 2 sides of the amp:



6) Then slip the finished amp over the bottom of the iPad (over the speaker):



7) And attach to the back of the iPad with a piece of tape:



😄 Sit back and enjoy!



ibcAMP by [Brandon Maddox](#) is licensed under a [Creative Commons Attribution-NonCommercial-ShareAlike 3.0 Unported License](#).